



MERLIN

The Merlin is incredibly versatile. It's spacious, comfortable and uncompromisingly stylish.

Designed to seat 9-12 people, the Merlin is a triangular pavilion that echoes the best of 19th century Arts & Crafts styling.

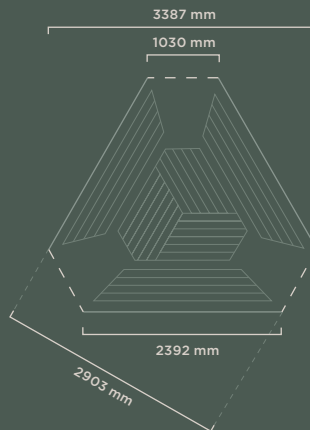


CROWN PAVILIONS
HAMPTON COURT

SIDE DIMENSIONS



CONCRETE BASE DIMENSIONS



FLAT & LEVEL



3-4 inches concrete slab
Damp proof membrane
Hardcore



MERLIN

Designed to seat 9-12 people, the Merlin is a triangular pavilion that echoes the best of 19th century Arts & Crafts styling.

With the added benefit of 3 openings this design works especially well in secluded corner spots, but is equally impressive as a central focal point to your garden.

The Merlin is incredibly versatile. It's spacious, comfortable and uncompromisingly stylish, providing you with the ultimate in outdoor entertainment

areas - or just a wonderful summerhouse where you can while away the hours and escape from the pressures of life.

Our durable, water resistant canvas panels and cushions are the perfect accessory for all our pavilions, and when used with the Crown Deluxe infra red heater you can enjoy your garden in complete comfort, all year round.

CROWN PAVILIONS

MOBILE +44 (0)7828 986 035
PHONE +44 (0)1491 612 820

EMAIL enquiries@crownpavilions.com
INTERNET www.crownpavilions.com

ADDRESS 6b Lys Mill Farm, Watlington,
Oxfordshire. OX49 5EP.