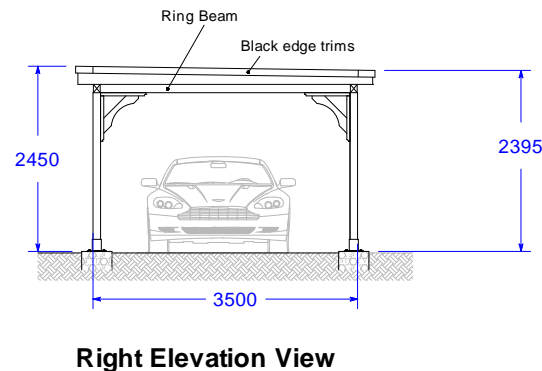
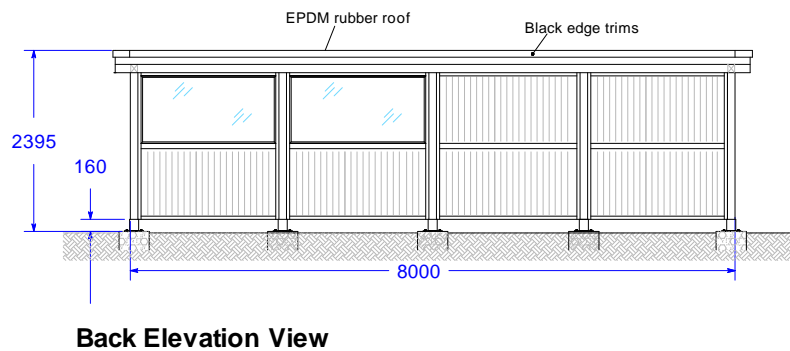
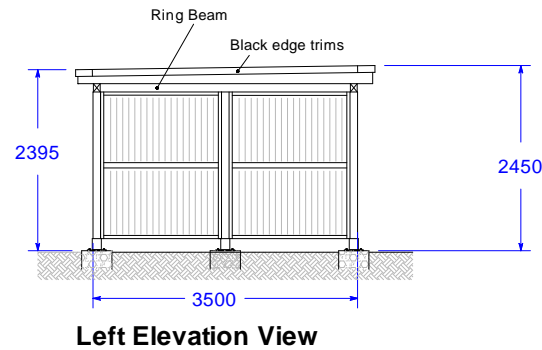
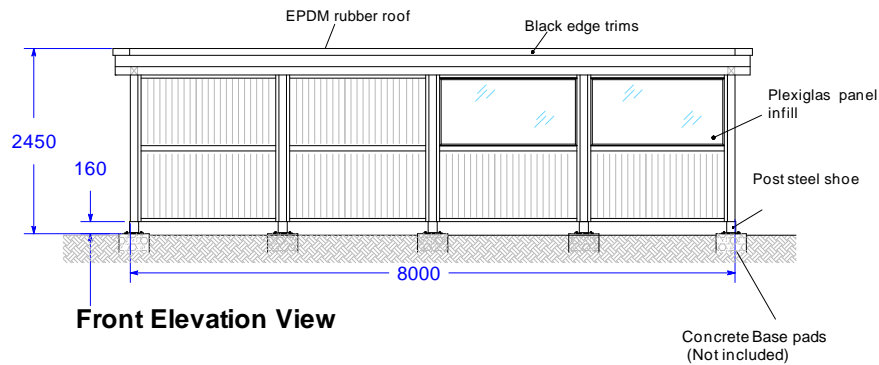
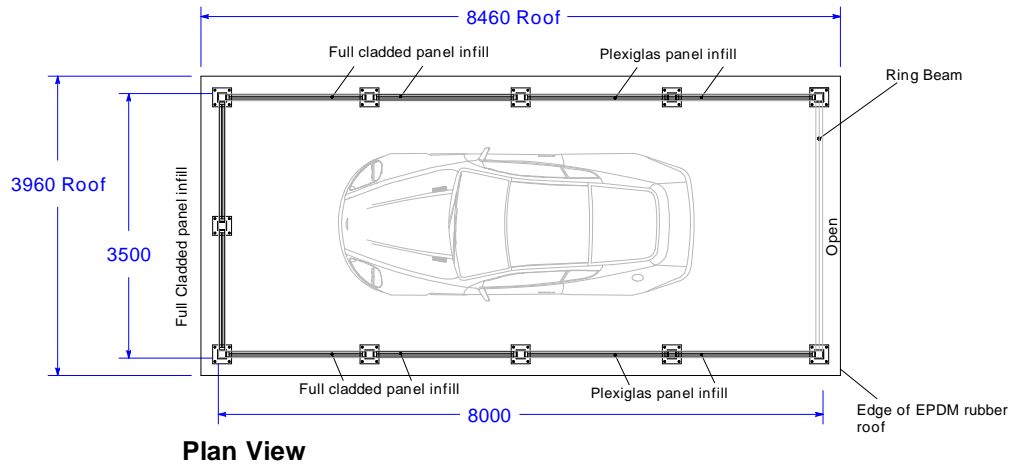


Sunrise

Option 1 including EPDM rubber flat roof 8mx3.5m Car port



The LivingWell
Collection by Crown
Pavilions



CROWN PAVILIONS
HAMPTON COURT

Ord No: A	T.G.		
Version	3003 2000	Checked Date	Approved Date
Client			
Project Sunrise (Car Port)			
Drawing Title			
Crown Pavilions Architectural Designs and Development Consultants			
Office 5b Lys Mill Farm Howe Road Wantage Oxfordshire OX14 5EP Tel: 01491612820 Fax: 01491614747	Scale 1:100 @ A4	Purpose of Issue	
Drawing No. 300320-7v1			